

# TR-015 Timer



## FEATURES:

- Self powered with replaceable batteries.
- Simple programming via menu driven display.
- 8 timing modes: On Delay, Off Delay, One Shot and Single Shot. Repeat Cycle modes: Delay, Cycle, Symmetrical Delay and Symmetrical.
- 9 timing ranges from 0.2 seconds to 99999 hours.
- Opto-isolated inputs 12-260VAC or DC.
- Three different triggering mechanisms.
- Relay contacts rated at 8A, programmable to NO or NC.
- Environmental protection to IP65/NEMA 4.
- CE approved & RoHS.

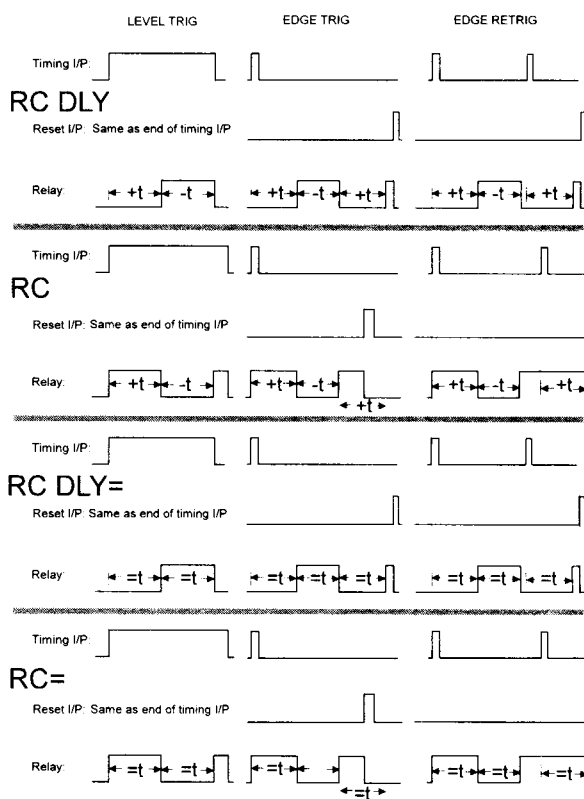
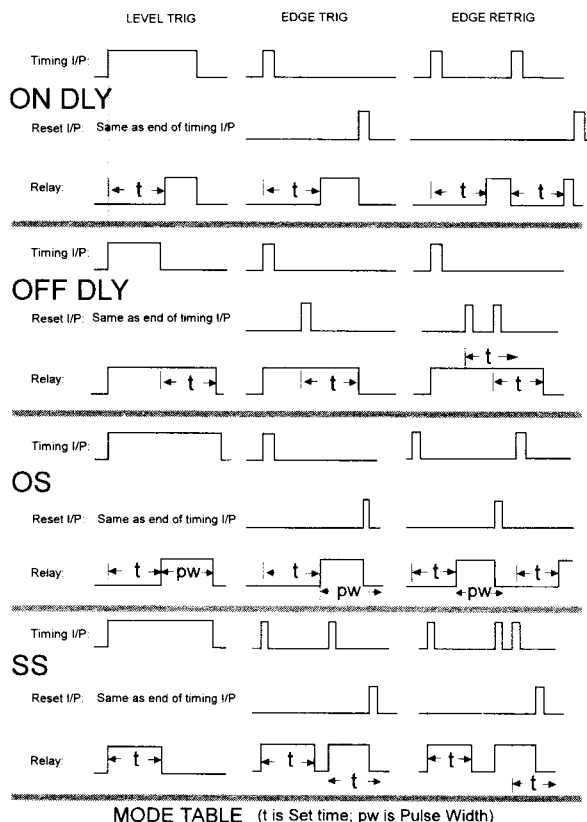
## DESCRIPTION:

This versatile self-powered time relay has 8 modes of operation, 9 timing ranges and an easy to read 5 digit LCD display. All programming is done through a menu driven display. The time modes consist of On Delay (ON DLY), Off Delay (OFF DLY), One Shot (OS) and Single Shot (SS). Repeat Cycle (RC) modes: Delay, Cycle, Symmetrical Delay and Symmetrical. The 9 time Ranges range from 0.2 to 99999 hours. The Opto-isolated inputs of 12 to 260 VAC or DC can control

the time cycles in three different trigger methods. Relay contacts rated at 8A can be programmed as NO or NC.

## TIMING MODES:

The timing input can be LEVEL TRIGGERed, EDGE TRIGGERed or EDGE RETRIGGERed. The essence of RETRIGGERing is that subsequent pulses on the timing input can start a new timing cycle. Time is on the Main Display and the Set Time on the Subsidiary Display.

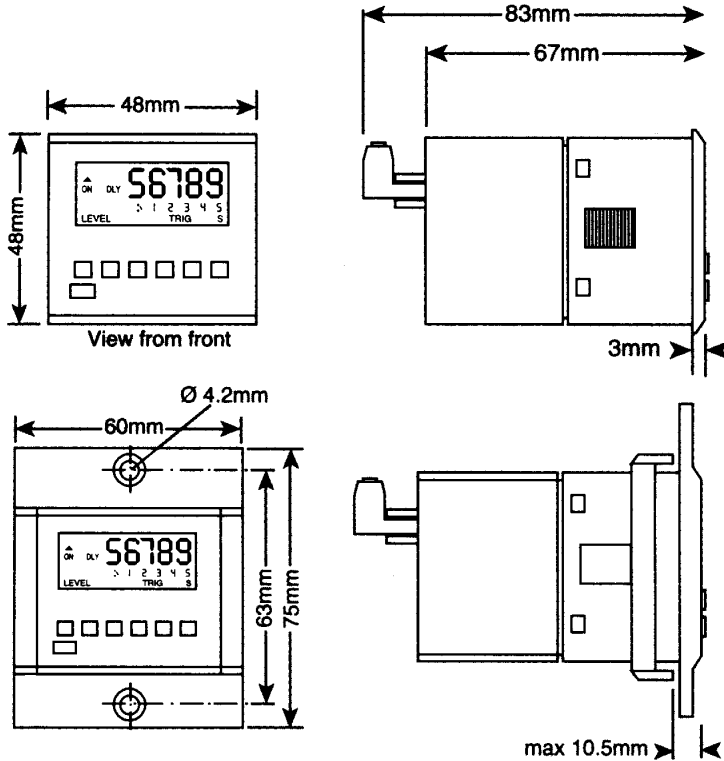


CYCLICAL MODES TABLE  
(+t is +Set Time; -t is -Set Time; =t is +Set Time)

## Multifunction Timer

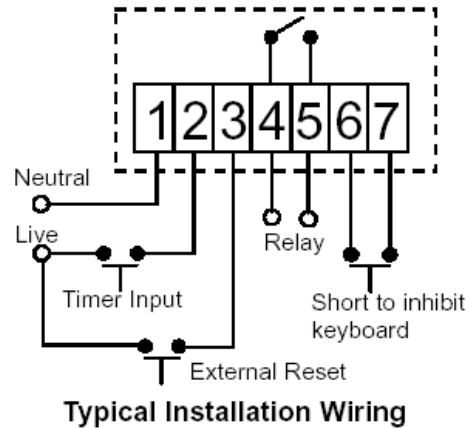
### DIMENSIONS:

48mm x 48mm (1.89 x 1.89in). 83mm (3.27in) depth including rear connector



### CONNECTIONS:

1	Common for terminals 2 + 3	
2	Timing input. Programmable to level or edge triggered	These inputs can be 12-240Vac or dc. For dc input the polarity is unimportant.
3	Reset input	
4/5	Voltage free relay contacts. Programmable to NO or NC	
6/7	Connect together to disable front panel keys	



### SPECIFICATION:

**Display:** 2 rows of 5 digits, black on silver LCD. Upper row 6.5mm (0.26in) high indicates Time; lower row 3.5mm (0.14in) high indicates Set Time. Also mode, relay and low battery indicators

**Batteries:** Two replaceable 1/2 AA 3V Lithium. 10 year expected life under certain conditions.

#### Time Ranges

- 1 - 99999, 0.2 - 9999.9, 0.20 - 999.99 sec or
- 1 - 99999, 0.1 - 9999.9, 0.10 - 999.99 sec or
- 1 - 99999, 0.1 - 9999.9, 0.01 - 999.99 min or
- 1 - 99999, 0.1 - 9999.9, 0.01 - 999.99 hrs

**Set Time:** Single user selectable point within the selected range

**Accuracy Timing:** +50mS - 20mS or ±0.5% of Set Time whichever is greater

**Repeat Accuracy:** ±0.3% of Set Time

**Timing and Reset Inputs:** Opto-isolated 12 - 260VAC or DC. Minimum pulse width 20ms. Input impedance 220kΩ.

**Output Relay:** SPST voltage free contacts programmable as NO or NC

**Contact Rating:** 8A 260VAC or 220VDC 2000VA/150W.

**Reaction Time:** <20ms.

**Expected Life:** Electrical 10A resistive load 100,000 operations. Electrical 2A resistive load 1,000,000 operations

**Operating Temp.:** -10°C to +60°C

**Storage Temp.:** -20°C to +70°C

#### Environmental Protection

IP65/NEMA4 when properly installed using the sealing gasket supplied

#### Ordering Information:

Model Number: **TR-015**.....Time Relay

**WARNING:** THIS UNIT CONTAINS A LITHIUM BATTERY AND MUST NOT BE DISPOSED OF IN A FIRE OR EXPOSED TO TEMPERATURES OUTSIDE THE RANGE -20°C TO +70°C