

# 8900D Timer Series



**FEATURES:**

- Self-powered Elapse Timer
- Up/Down timing input
- 8 digit LCD display
- Backlight with external 5VDC
- Contact closure or high voltage inputs
- NEMA 4X / IP 65 display
- RoHS & CE Compliant

**DESCRIPTION:**

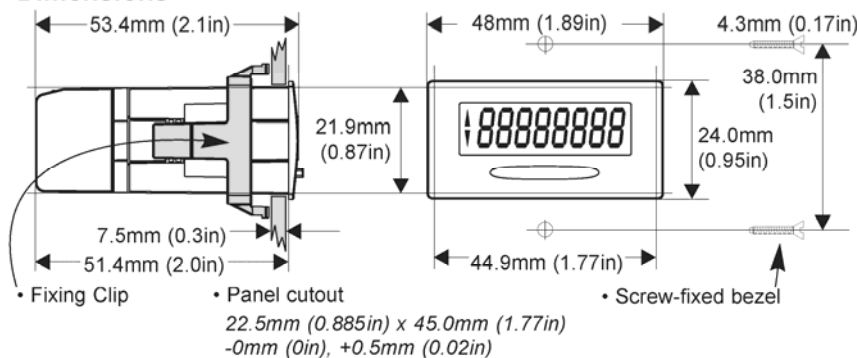
The 8900D Series consists of small, lithium battery powered timers that are panel mount.

The **8925D & 8925DV** timers are elapsed timers equipped with a 10-year lithium battery. They can be programmed to time in Seconds, Min. & Sec, Hrs. & Min. or Hrs. & 100ths. The front reset button can be disabled if desired. They accept a variety of inputs making them suitable for a wide range of applications.

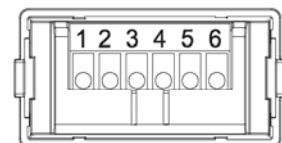
**SPECIFICATIONS:**

Model	8925D	8925DV
Function	Timer	
Display	8 digit, LCD, 9mm (0.354") high characters, Backlight with external 5VDC	
Supply	Permanent Internal lithium battery	
Battery life	10 year (calculated) at 20°C	
Count Input	Contact closure/NPN open collector to time. Break contact to stop timing, minimum pulse width 1 sec.	High Voltage: 10-110VDC ±10%, 10-240VAC ±10%, minimum pulse width 1 sec
Timing	Seconds, Min. & Sec., Hrs. & Min. or Hrs. & 100ths, selectable via jumpers	
Reset	1) Non-voltage: contact closure only (minimum pulse 15mSec). 2) Front push button	1) High Voltage: 10-110VDC ±10% , 10-240VAC ±10%, 2) Front push button
Direction input	Contact closure/NPN •Up: not connected or >2V (logic 1), maximum 18V •Down: connected to common or <1V (logic 0) •Direction signal must change >5µS before Count signal	
Housing	Black and clear polycarbonate	
Mounting	Panel mount spring clip or screw panel adapter	
Connection	Screw terminals	
Protection	Front can be sealed to IP 65 / NEMA 4X	
Temperature	Operating: -4 to 140°F (-20 to 60°C) Storage: -4 to 140°F (-20 to 60°C)	

**Dimensions**



**Rear view screw terminals**



**WARNING: THIS UNIT CONTAINS A LITHIUM BATTERY AND MUST NOT BE DISPOSED OF IN A FIRE OR EXPOSED TO TEMPERATURES OUTSIDE THE RANGE -20°C TO +70°C**