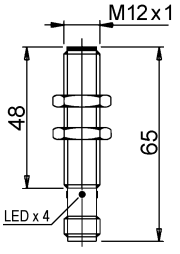
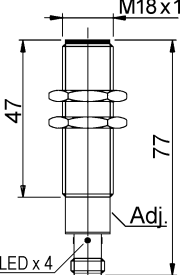
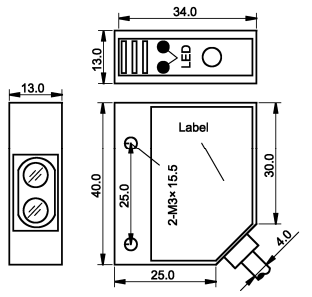


Diffused – Direct Reflection Photoelectric Sensors

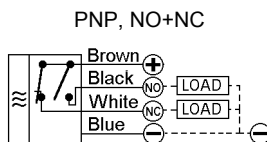
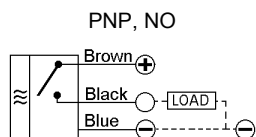
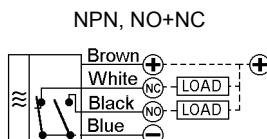
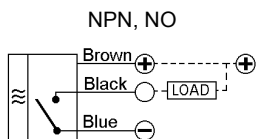


FEATURES:

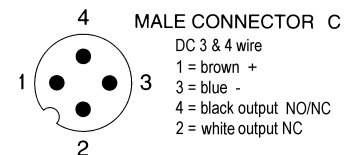
- Starting as low as **\$31.50** each
- **Mating M12S2M... connector with 2 meters of cable included with all connector versions**
- Sensitivity adjustment on select units
- Reverse polarity protection
- Protection degree IP65: dust tight and protected against water spray from any direction

		MODEL		
Output Function	NPN NO	PD12M1NOC		
	PNP NO	PD12M1POC		
	NPN NO+NC		PD18M3NSC	PDR4P5NS
	PNP NO+NC		PD18M3PSC	PDR4P5PS
Dimensions: mm 1" = 25.4 mm 1 mm = .03937"				
Operating Distance		10 cm Fixed	30 cm Adjustable	50 cm Adjustable
External Dimensions		M12 x 1	M18 x 1	40x34x13mm
Light Source		Infrared		
Power Supply		10 – 30 Vdc		
Power Drain		≤ 20 mA		
Voltage Drop		≤ 2 V		
Switching Current (max)		200 mA		
Response Time		<3ms		
Light Immunity		≤ 10000/ sunlight / ≤ 3000 incandescent light		
Case		Nickel-plated brass		Plastic
Protection Degree		IP 65		
Operating Temperature		- 25 to +55 °C		
Output Connection		Connector C*		Cable: L = 2 m

WIRING:



CONNECTOR*:



* Mating connector with 2 meters of cable included with connector versions