

8900D Series



FEATURES:

- Self-powered Totalizing Counter & Timer
- Up/Down count input
- 8 digit LCD display, Backlight with external 5VDC
- High speed solid state, slow speed contact closure and high voltage inputs
- 10k Hz max. Count speed
- NEMA 4X / IP 65 display
- **RoHS & CE** Compliant

DESCRIPTION:

The 8900D series consists of a small, lithium battery powered counters and timers that are panel mount.

The **8905D & 8905DV** totalizers are powered by an internal lithium battery with a standard operation life expectancy of 10 years. The 8905D accepts inputs from solid-state devices, +18 VDC max., as well as non-voltage contact closure inputs. The 8905DV accepts AC & DC voltage inputs. The front reset button can be disabled if desired. A programmable decimal point allows for additional versatility.

The **8905Q** 10-30VDC powered totalizer that accepts NPN quadrature inputs allowing for a wide range of applications including length measurement. Counts with a ratio of 1:1.

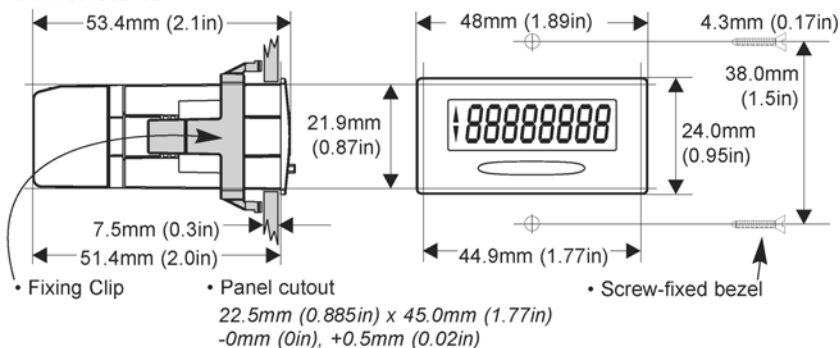
The **8925D & 8925DV** timers are elapsed timers equipped with a 10-year lithium battery. They can be programmed to time in Seconds, Min. & Sec, Hrs. & Min. or Hrs. & 100ths. The front reset button can be disabled if desired. They accept a variety of inputs making them suitable for a wide range of applications.

SPECIFICATIONS:

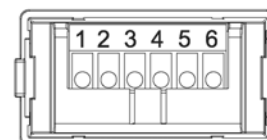
Model	8905D	8905DV	8905DQ	8925D	8925DV
Function	Totalizer			Timer	
Display	8 digit, LCD, 9mm (0.354") high characters, Backlight with external 5VDC, programmable 3 position decimal point via jumpers.			8 digit, LCD, 9mm (0.354") high characters, Backlight with external 5VDC	
Supply	Permanent Internal lithium battery			10-30VDC	
Battery life	Permanent Internal lithium battery 10 year (calculated) at 20°C				
Count Input	1) High Speed: solid state: NPN, TTL/CMOS +18 VDC max. input. 2) Slow Speed: Contact closure/NPN open collector	High Voltage: 10-110VDC ±10%, 10-240VAC ±10%,	Quadrature: NPN input, 2.5kHz max, TTL/CMOS Compatible. Ratio 1:1	Contact closure/NPN open collector to time. Break contact to stop timing, minimum pulse width 1 sec.	High Voltage: 10-110VDC ±10%, 10-240VAC ±10%, minimum pulse width 1 sec
Input speed (max)	1) High Speed: 10k Hz 2) Slow Speed: 30 Hz	3) High Voltage 10 Hz	4) Quadrature: 2.5kHz		
Timing	—			Seconds, Min. & Sec., Hrs. & Min. or Hrs. & 100ths, selectable via jumpers	
Reset	1) Non-voltage: contact closure only (minimum 15mSec) 2) Front push button*	1) High Voltage: 10-110VDC ±10%, 10-240VAC ±10%, 2) Front push button*	1) Non-voltage: contact closure only (minimum pulse 15mSec). 2) Front push button*	1) Non-voltage: contact closure only (minimum pulse 15mSec). 2) Front push button*	1) High Voltage: 10-110VDC ±10%, 10-240VAC ±10%, 2) Front push button*
Direction input	Contact closure/NPN •Up: not connected or >2V (logic 1), maximum 18V •Down: connected to common or <1V (logic 0) •Direction signal must change >5µS before Count signal				
Housing	Black and clear polycarbonate				
Mounting	Panel mount spring clip or screw panel adapter				
Connection Screw	terminals				
Protection	Front can be sealed to IP 65 / NEMA 4X				
Temperature	Operating: 14 to 140°F (-10 to 60°C) Storage: -4 to 140°F (-20 to 60°C)				

* The front reset button can be disabled if desired

Dimensions



Rear view screw terminals



Warning: this unit contains a lithium battery and must not be disposed of in a fire or exposed to temperatures outside the range -20°C to +70°C