

136G Series

FEATURES:

- Heavy duty design
- Push button reset
- Double sided shaft
- Revolution or rotary direct drive versions
- Long mechanical life
- High speed



DESCRIPTION:

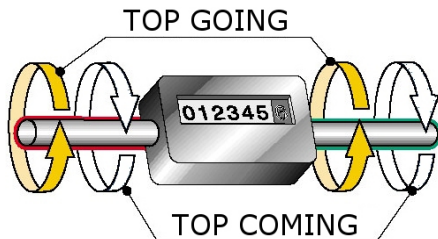
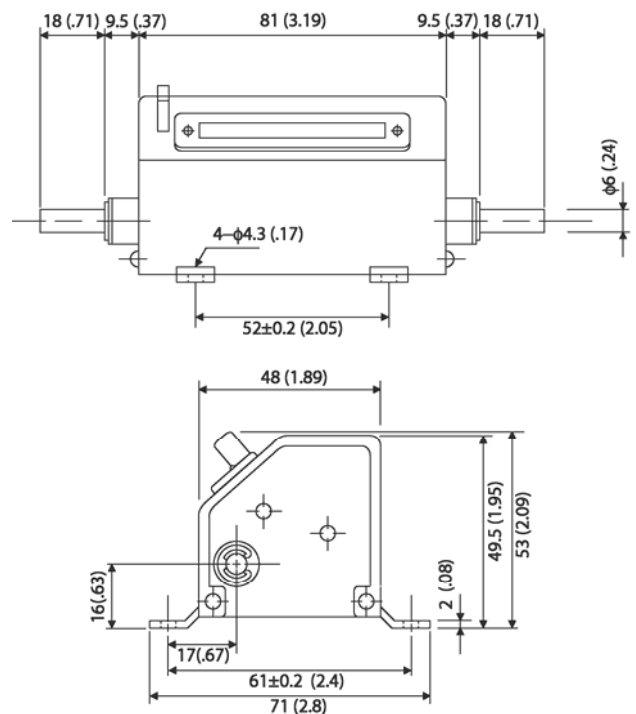
The larger 136G Series offers high visibility and durability. Its push button reset, rugged design, high-speed operation and double-sided shaft make them ideal for many industrial applications.

Typical applications include tool machines, winding machines, automatic machines, presses, shearing machines, printing machines, measuring of tape, rope, extruded material, etc...

SPECIFICATIONS:

Model	LB-136G-5	LB-136G-5(II)	RL-136G-5	RL-136G-5(II)
Function	Revolution 1:1, 1 count per revolution, bi-directional		Direct drive 10:1, 10 counts per revolution bi-directional	
Digits	5			
Figure Size	6 x 4mm (.24 x .16")			
Shaft	6 mm (.24") Double sided			
Direction	Top Going	Top Coming	Top Going	Top Coming
Reset	Push button (do not reset while in motion)			
Max. Speed	3000 rpm		300 rpm	
Max. Torque	10 mN-m max		20 mN-m max	
Housing	Metal, Grey			
Weight	311g (11oz)			

DIMENSIONS: mm (inches),



Ordering Information:

Model	Description
LB-136G-5	1:1, Top Going
LB-136G-5(II)	1:1, Top Coming
RL-136G-5	10:1, Top Going
RL-136G-5(II)	10:1, Top Coming