

PROGRAMMABLE POWER SUPPLY - AMPLIFIER

Our programmable power supply can be used with all NAMUR, NPN and PNP sensors and contain a relay with ON or OFF delay function. The programmable time scale ranges from 0.03 seconds to 12 minutes.

This is not a safety device and is not intended for safety applications.



PROGRAMMABLE FUNCTIONS

1) DELAY: The delay range is from 0.03 seconds to 512 seconds (see table A) and is divided into nine standard scales selected via front mounted dip switches. The selected scale can be adjusted by means of a potentiometer. It is possible to sum two scales to obtain different scales. This is obtained by placing the switch with the chosen values in the ON position. (Example: switches 1 and 2 ON correspond to a full scale of 640 seconds).

2) TYPE OF FUNCTION AND SENSOR: Dipswitches 10, 11 & 12 are used simultaneously to program the function and type of sensor. The relay can be programmed to be ON or OFF with an on delay (TE) or off delay (TD) function while using NAMUR, NPN or PNP sensors.

SPECIFICATIONS

Power supply: 110/220VAC 50-60Hz \pm 15% or 24VDC/AC
 Power drain: 3VA
 Output Voltage: 12VDC
 Max output current: 50mA
 Relay: 5A 220VAC
 Temperature range: -20 to + 60° C
 Degree of protection: IP 40
 Range of delay: 0.03 sec-12 min
 Mounting: DIN rail

DIMENSIONS (mm)

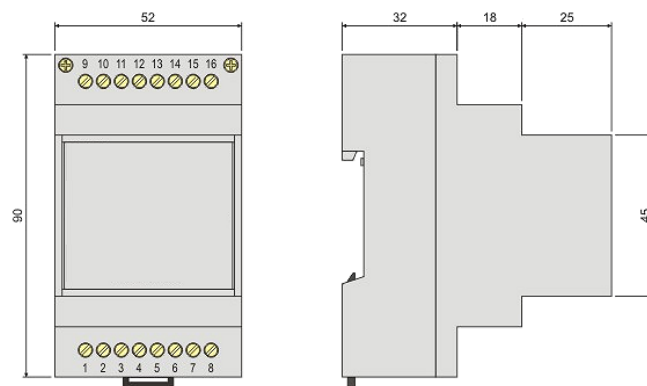


Table A

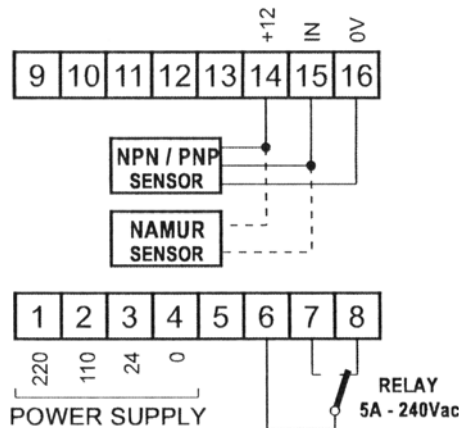
SWITCH POSITION	RANGE OF DELAY (in seconds)
1	25.6 - 512
2	6.4 - 128
3	1.6 - 32
4	0.8 - 16
5	0.4 - 8
6	0.2 - 4
7	0.1 - 2
8	0.05 - 1
9	0.03 - 0.5

Table B

RELAY	FUNCTION	DIP 10	DIP 11	DIP 12
OFF	PNP TE	OFF	OFF	ON
	PNP TD	ON	OFF	OFF
	NPN TE	ON	ON	ON
	NPN TD	OFF	ON	OFF
	NAMUR TE	ON	OFF	ON
ON	NAMUR TD	OFF	OFF	OFF
	PNP TE	OFF	OFF	OFF
	PNP TD	ON	OFF	ON
	NPN TE	OFF	ON	ON
	NPN TD	ON	ON	OFF
	NAMUR TE	OFF	OFF	ON
	NAMUR TD	ON	OFF	OFF

On delay (TE) or off delay (TD)

WIRING



HOW TO ORDER

Model	Description
S3424D	ALTP 24VDC/AC
S3425D	ALTP 110/220VAC